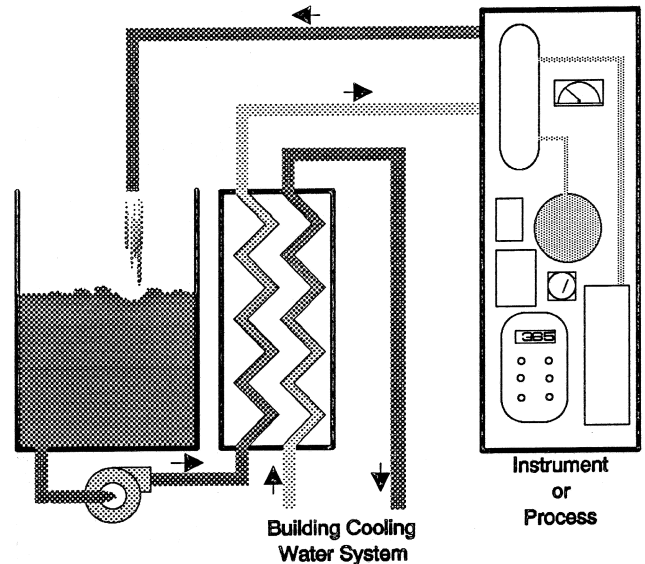
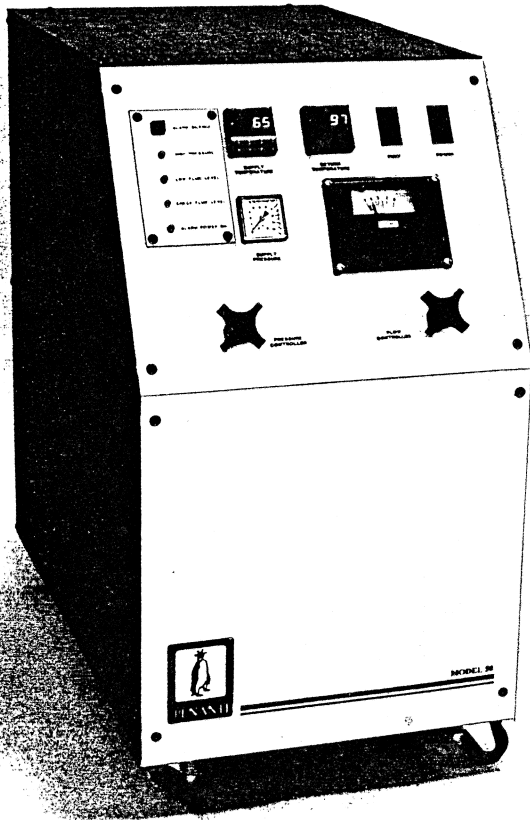




Model 50

Programmable Water Source

Equipment Cooler



Flow Diagram

STANDARD FEATURES

APPLICATIONS

- ◆ Lasers
- ◆ Analytical Instruments
- ◆ X-Ray Sources
- ◆ Pumps
- ◆ Magnets
- ◆ Power Supplies
- ◆ Process Equipment
- ◆ Vacuum Systems
- ◆ Building Water Cooled
- ◆ Large Temperature Range
- ◆ Stable Supply Temperature
- ◆ All Wetted Parts - Plastic or Stainless Steel
- ◆ DI Water Compatible
- ◆ Zero Back Pressure
- ◆ Front Mounted Controls for Varying Pressure, Temperature, and Flow Independantly While Operating
- ◆ Alarms for Pressure, Temperature, and Level
- ◆ CFC Free

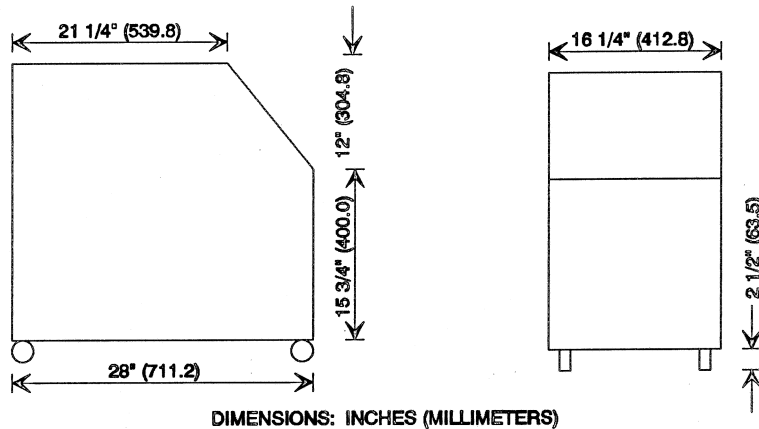
* On-site Service Within 24 Hrs. Available *

The Penanti Equipment Cooler is the first choice of professionals who require regulated cooling for critical equipment. If your facility cooling water system is prone to unstable temperature and pressure, or if the water quality is unsuitable, your process equipment need not be subjected to possible damage or failure. The Penanti Cooler isolates critical equipment from these facility system variables or suspect quality, allowing your process to produce the results you depend on.

Penanti offers standard features such as all plastic / stainless steel wetted parts, zero back pressure return, and front panel controls to regulate temperature, pressure, and flow rate independently, while operating.

You depend on your critical process equipment -- Protect your investment and guarantee the cooling system with the Penanti equipment cooler, the intelligent choice of professionals in industry and research.

APPROXIMATE DIMENSIONS



DIMENSIONS: INCHES (MILLIMETERS)

SPECIFICATIONS

MODEL	50
COOLING CAPACITY	45,000 BTUH, 13 KW @ 10°F ΔT (5.6°C)
TEMPERATURE RANGE	± 1.6°F (1°C)
TANK VOLUME	8.0 GAL. (30 L)
SUPPLY PRESSURE	1 - 70 PSIG (7 KPa - 480 KPa)
RETURN PRESSURE	< 1 PSIG (< 7 KPa)
FLOW RANGE	0 - 7 GPM (0 - 30 LPM)
MONITORING POINTS	Flow, Pressure, Temperature
ALARM INDICATIONS	High Supply Temperature, High Supply Pressure, Low Level
ELECTRICAL	120 VAC 10 A , 3/4 HP
SHIPPING WEIGHT	96 lbs. (44 Kg)



Penanti, Inc.
262 King Street
Pottstown PA 19464

215 - 327 - 4393 / FAX 215 - 970 - 9407

Quality Cooling Systems